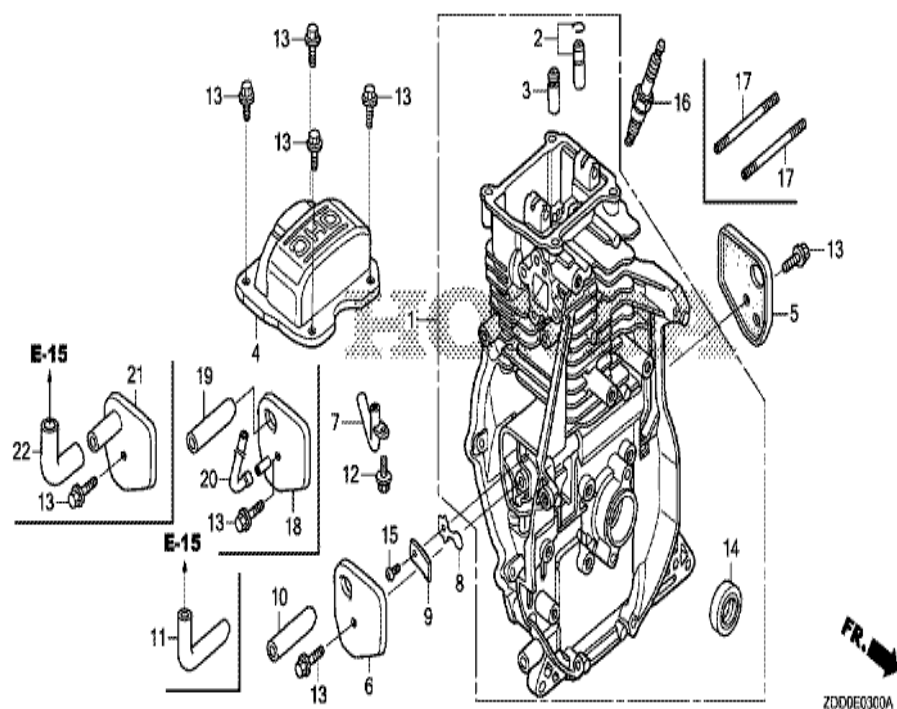
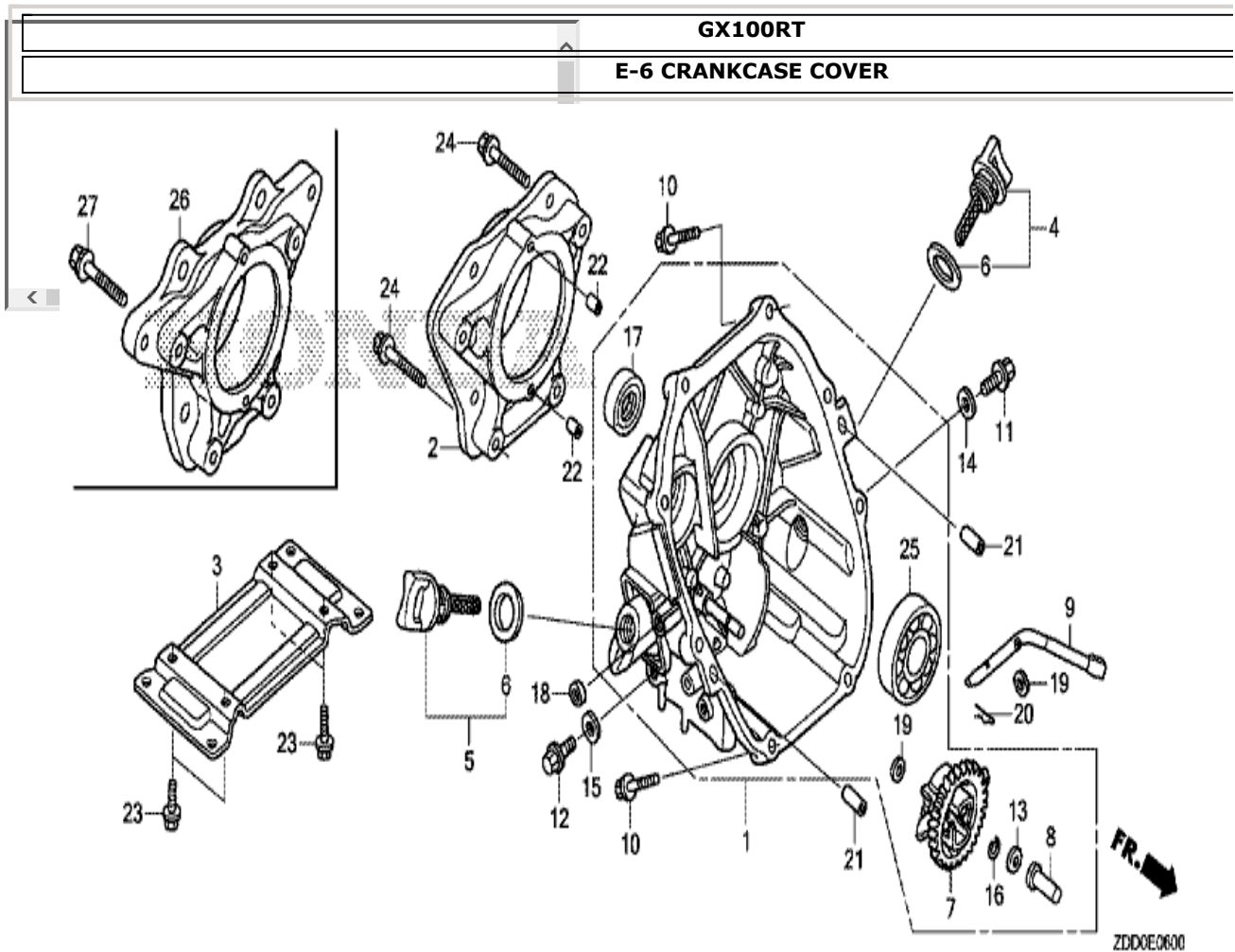


GX100RT
E-3 CYLINDER BARREL



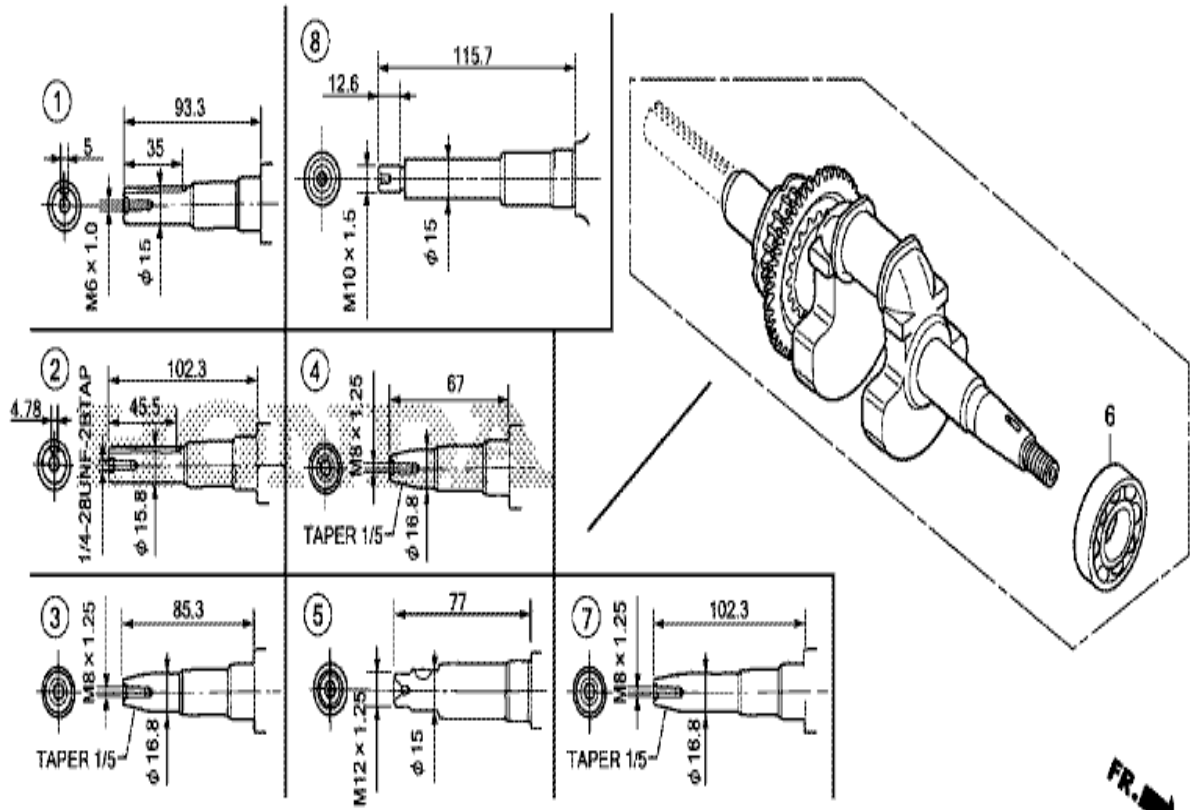
| Refnr | Part Number | Description | from | to | Unit Qty | Order Qty | Repair Qty |
|-------|----------------|-------------------------------|------|----|----------|-----------|------------|
| 1 | 12000-Z0D-405 | BARREL ASSY., CYLINDER | | | 001 | 0 | 0 |
| 2 | 12201-Z0D-305 | GUIDE ASSY., EX. VALVE (O.S.) | | | 001 | 0 | 0 |
| 3 | 12204-Z0D-305 | GUIDE, IN. VALVE (O.S.) | | | 001 | 0 | 0 |
| 4 | 12311-Z0D-000 | COVER, HEAD | | | 001 | 0 | 0 |
| 5 | 12355-Z0D-000 | COVER COMP. A, BREATHER | | | 001 | 0 | 0 |
| 6 | 12365-Z0D-000 | COVER COMP. B, BREATHER | | | 001 | 0 | 0 |
| 7 | 15171-Z0D-V00 | PIPE, BREATHER | | | 001 | 0 | 0 |
| 8 | 15571-Z0D-V71 | VALVE, OIL OUTLET | | | 001 | 0 | 0 |
| 9 | 15572-ZM7-000 | PLATE, STOPPER | | | 001 | 0 | 0 |
| 12 | 90008-ZM7-000 | BOLT, 4X10 | | | 001 | 0 | 0 |
| 13 | 90014-952-000 | BOLT, FLANGE, 6X14 (CT200) | | | 006 | 0 | 0 |
| 14 | 91202-KJ9-003 | OIL SEAL, 20X32X6 | | | 001 | 0 | 0 |
| 15 | 93500-03005-0A | SCREW, PAN, 3X5 | | | 001 | 0 | 0 |
| 16 | 98056-55757 | PLUG, SPARK (U16FSR-UB) | | | 001 | 0 | 0 |
| 16 | 98056-55777 | PLUG, SPARK (CR5HSB) | | | 001 | 0 | 0 |



| Refnr | Part Number | Description | from | to | Unit Qty | Order Qty | Repair Qty |
|-------|----------------|----------------------------|------|----|----------|-----------|------------|
| 1 | 11300-Z0D-Q00 | COVER ASSY., CRANKCASE | | | 001 | 0 | 0 |
| 4 | 15600-ZDF-000 | CAP ASSY., OIL FILLER | | | 001 | 0 | 0 |
| 6 | 15625-Z0T-800 | PACKING, OIL FILLER CAP | | | 001 | 0 | 0 |
| 7 | 16510-ZL8-000 | GOVERNOR ASSY. | | | 001 | 0 | 0 |
| 8 | 16531-ZE1-000 | SLIDER, GOVERNOR | | | 001 | 0 | 0 |
| 9 | 16541-Z0D-000 | SHAFT, GOVERNOR ARM | | | 001 | 0 | 0 |
| 10 | 90121-952-000 | BOLT, FLANGE, 6X25 (CT200) | | | 008 | 0 | 0 |
| 11 | 90131-ZE1-000 | BOLT, DRAIN PLUG | | | 001 | 0 | 0 |
| 13 | 90451-ZE1-000 | WASHER, THRUST, 6MM | | | 001 | 0 | 0 |
| 14 | 90601-ZE1-000 | WASHER, DRAIN PLUG, 10.2MM | | | 001 | 0 | 0 |
| 16 | 90602-ZE1-000 | CLIP, GOVERNOR HOLDER | | | 001 | 0 | 0 |
| 17 | 91202-KJ9-003 | OIL SEAL, 20X32X6 | | | 001 | 0 | 0 |
| 18 | 91231-891-003 | OIL SEAL, 6X11X4 (ARAI) | | | 001 | 0 | 0 |
| 19 | 94101-06800 | WASHER, PLAIN, 6MM | | | 002 | 0 | 0 |
| 20 | 94251-08000 | PIN, LOCK, 8MM | | | 001 | 0 | 0 |
| 21 | 94301-08200 | DOWEL PIN, 8X20 | | | 002 | 0 | 0 |
| 25 | 96100-62040-00 | BEARING, RADIAL BALL, 6204 | | | 001 | 0 | 0 |

GX100RT

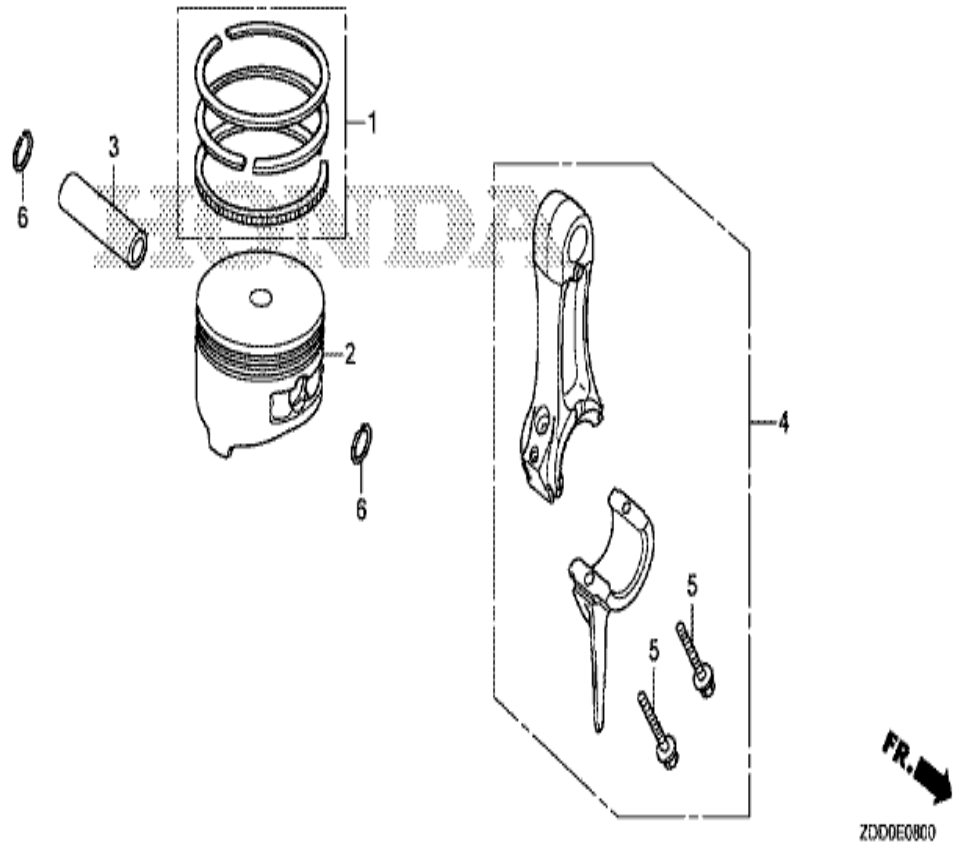
E-7 CRANKSHAFT



FR. →
ZD00E0700B

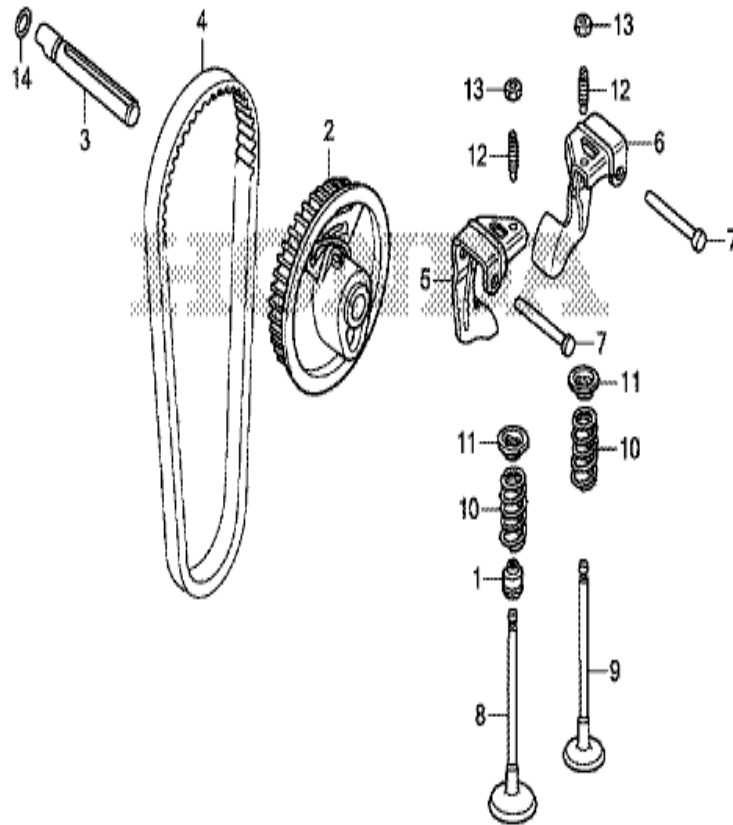
| Refnr | Part Number | Description | from | to | Unit Qty | Order Qty | Repair Qty |
|-------|---------------|-----------------------------|------|----|----------|-----------|------------|
| 4 | 13310-ZOD-V70 | CRANKSHAFT COMP. | | | 001 | 0 | 0 |
| 6 | 91001-ZOD-V01 | BEARING, RADIAL BALL, 6204C | | | 001 | 0 | 0 |

GX100RT
E-8 PISTON/CONNECTING ROD

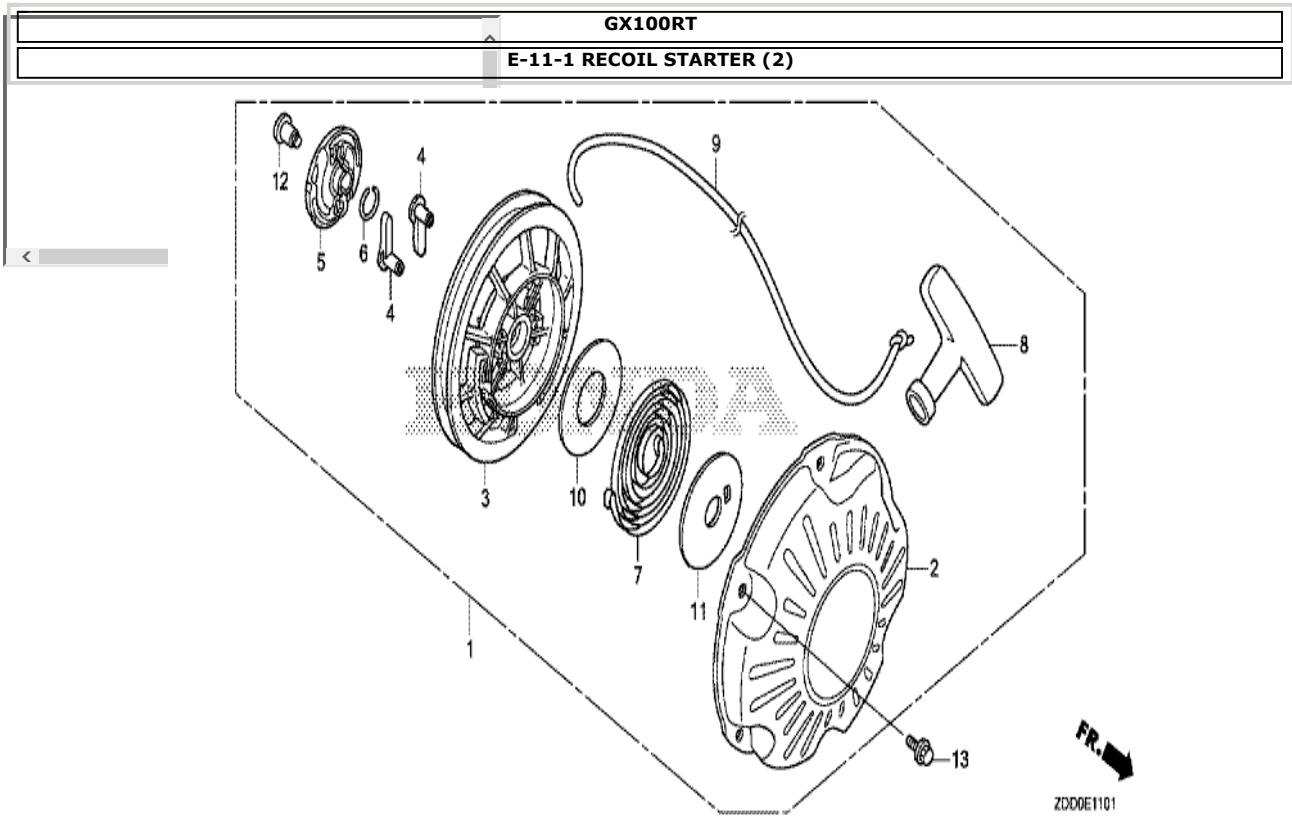


| Refnr | Part Number | Description | from | to | Unit Qty | Order Qty | Repair Qty |
|-------|---------------|------------------------------------|---------|---------|----------|-----------|------------|
| 1 | 13010-Z0D-003 | RING SET, PISTON | | | 001 | 0 | 0 |
| 2 | 13101-Z0D-000 | PISTON | | 1142880 | 001 | 0 | 0 |
| 2 | 13101-ZDD-000 | PISTON | 1142881 | | 001 | 0 | 0 |
| 3 | 13111-ZE0-000 | PIN, PISTON | | | 001 | 0 | 0 |
| 4 | 13200-Z0D-000 | ROD ASSY., CONNECTING | | | 001 | 0 | 0 |
| 4 | 13200-Z0D-305 | ROD ASSY., CONNECTING (UNDER SIZE) | | | (1) | 0 | 0 |
| 5 | 90001-ZM7-000 | BOLT, CONNECTING ROD | | | 002 | 0 | 0 |
| 6 | 90551-ZE0-000 | CLIP, PISTON PIN, 13MM | | | 002 | 0 | 0 |

GX100RT
E-9 CAMSHAFT PULLEY

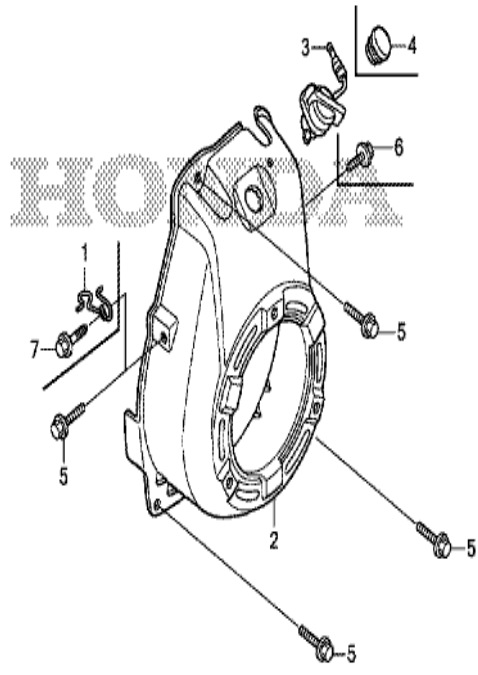


| Refnr | Part Number | Description | from | to | Unit Qty | Order Qty | Repair Qty |
|-------|---------------|----------------------------|------|----|----------|-----------|------------|
| 1 | 12209-KT7-013 | SEAL, VALVE STEM | | | 001 | 0 | 0 |
| 2 | 14320-ZDD-000 | PULLEY COMP., CAMSHAFT | | | 001 | 0 | 0 |
| 3 | 14324-Z0D-000 | SHAFT, CAM PULLEY | | | 001 | 0 | 0 |
| 4 | 14400-Z0D-003 | BELT, TIMING (61YU7 G-200) | | | 001 | 0 | 0 |
| 5 | 14431-ZDD-000 | ARM, IN. VALVE ROCKER | | | 001 | 0 | 0 |
| 6 | 14441-ZDD-000 | ARM, EX. VALVE ROCKER | | | 001 | 0 | 0 |
| 7 | 14461-ZL8-000 | SHAFT, ROCKER ARM | | | 002 | 0 | 0 |
| 8 | 14711-Z0D-000 | VALVE, IN. | | | 001 | 0 | 0 |
| 9 | 14721-Z0D-000 | VALVE, EX. | | | 001 | 0 | 0 |
| 10 | 14751-Z0D-000 | SPRING, VALVE | | | 002 | 0 | 0 |
| 11 | 14771-ZDF-000 | RETAINER, VALVE SPRING | | | 002 | 0 | 0 |
| 12 | 90012-333-000 | SCREW, TAPPET ADJUSTING | | | 002 | 0 | 0 |
| 13 | 90206-001-000 | NUT, TAPPET ADJUSTING | | | 002 | 0 | 0 |
| 14 | 91301-ZM0-V31 | O-RING, 6.8X1.9 (ARAI) | | | 001 | 0 | 0 |



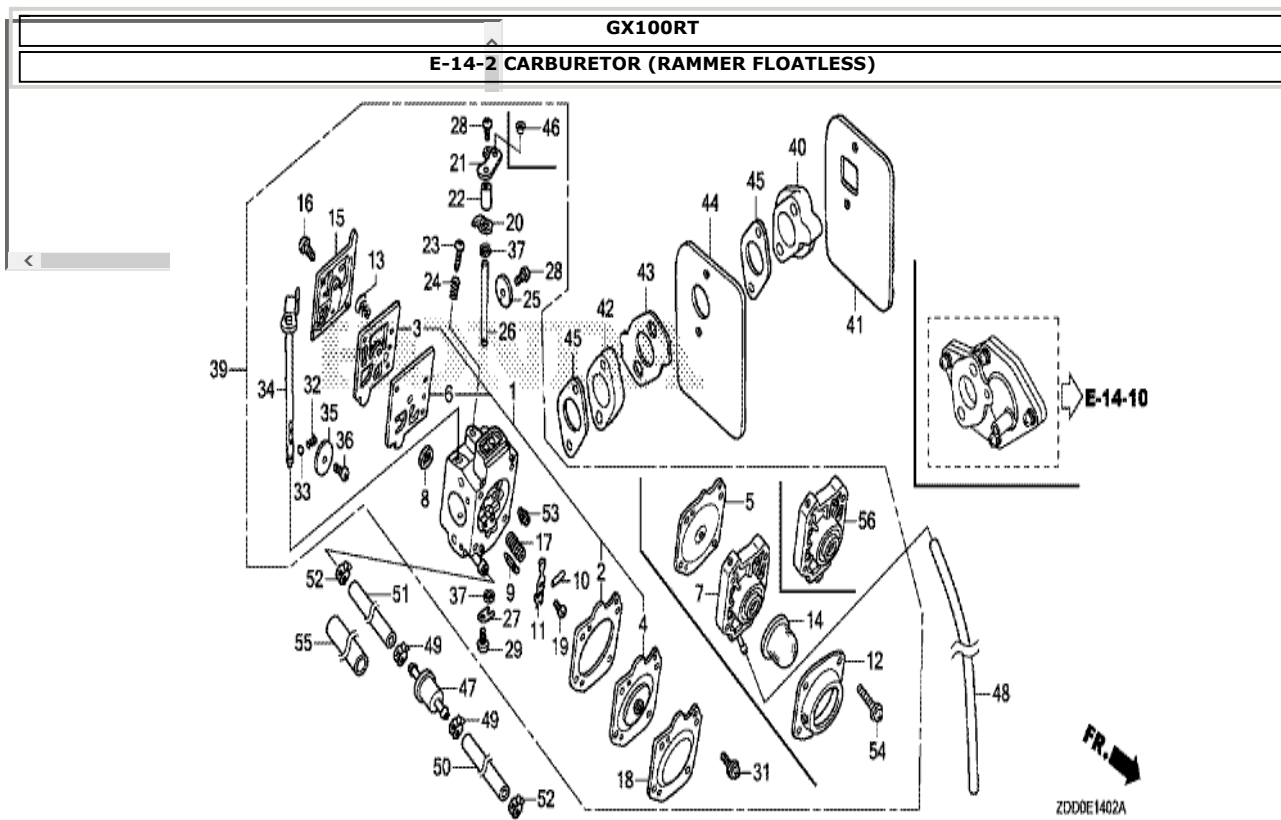
| Refnr | Part Number | Description | from | to | Unit Qty | Order Qty | Repair Qty |
|-------|-----------------|--|---------|---------|----------|-----------|------------|
| 1 | 28400-Z0D-V04ZA | STARTER ASSY., RECOIL *NH1* (NH1 BLACK) | | | 001 | 0 | 0 |
| 2 | 28410-Z0D-V02ZA | CASE COMP., RECOIL STARTER *NH1* (NH1 BLACK) | | | 001 | 0 | 0 |
| 3 | 28421-Z0D-V02 | REEL, RECOIL STARTER | | 1011611 | 001 | 0 | 0 |
| 3 | 28421-ZDD-003 | REEL, RECOIL STARTER (BLACK) | 1011612 | | 001 | 0 | 0 |
| 4 | 28422-ZG0-W02 | RATCHET, STARTER | | | 002 | 0 | 0 |
| 5 | 28433-ZG0-W02 | GUIDE, RATCHET | | | 001 | 0 | 0 |
| 6 | 28441-ZW6-003 | SPRING, FRICTION | | | 001 | 0 | 0 |
| 7 | 28442-ZH8-003 | SPRING, RECOIL STARTER | | | 001 | 0 | 0 |
| 8 | 28461-ZDD-003 | KNOB, RECOIL STARTER | 1011612 | | 001 | 0 | 0 |
| 8 | 28461-ZH8-013 | KNOB, RECOIL STARTER | | 1011611 | 001 | 0 | 0 |
| 9 | 28462-Z0D-V03 | ROPE, RECOIL STARTER | | | 001 | 0 | 0 |
| 10 | 28467-Z0D-V02 | PLATE, SIDE | | | 001 | 0 | 0 |
| 11 | 28468-Z0D-V02 | PLATE, SLIDE | | | 001 | 0 | 0 |
| 12 | 90003-ZH8-003 | SCREW, SETTING | | | 001 | 0 | 0 |
| 13 | 95701-06008-00 | BOLT, FLANGE, 6X8 | | | 003 | 0 | 0 |

| |
|-----------------------|
| GX100RT |
| E-12 FAN COVER |



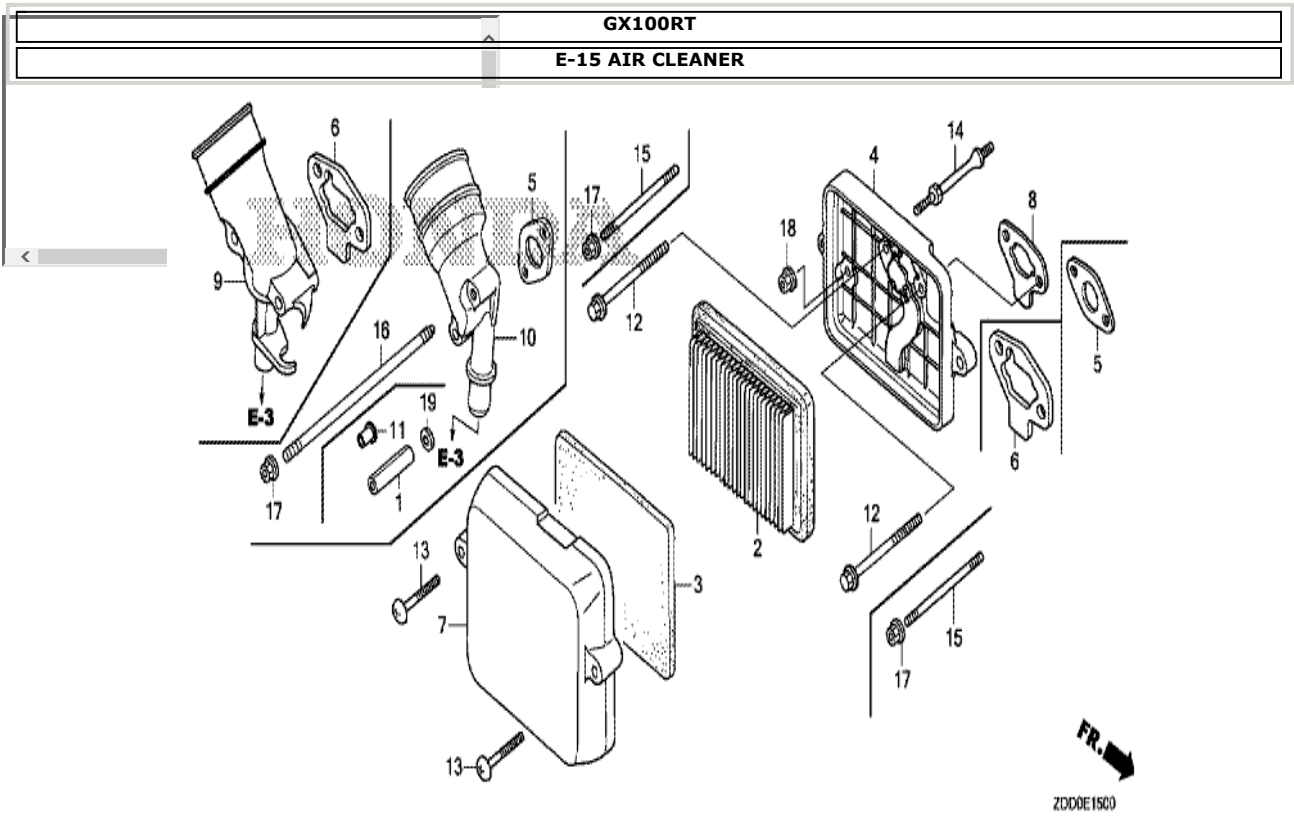
FR.
ZD30E1200

| Refnr | Part Number | Description | from | to | Unit Qty | Order Qty | Repair Qty |
|-------|-----------------|-------------------------------------|------|----|----------|-----------|------------|
| 2 | 19610-Z0D-V00ZB | COVER COMP., FAN *NH1 * (NH1 BLACK) | | | 001 | 0 | 0 |
| 3 | 35120-Z0D-V81 | SWITCH ASSY., ENGINE STOP | | | 001 | 0 | 0 |
| 5 | 90014-952-000 | BOLT, FLANGE, 6X14 (CT200) | | | 004 | 0 | 0 |



| Refnr | Part Number | Description | from | to | Unit Qty | Order Qty | Repair Qty |
|-------|---------------|-----------------------------|------|----|----------|-----------|------------|
| 2 | 16010-Z0D-V02 | GASKET, METERING DIAPHRAGM | | | 001 | 0 | 0 |
| 3 | 16011-Z0D-V02 | GASKET, PUMP | | | 001 | 0 | 0 |
| 4 | 16013-Z0D-V02 | DIAPHRAGM ASSY., METERING | | | 001 | 0 | 0 |
| 6 | 16014-Z0D-V02 | DIAPHRAGM, PUMP | | | 001 | 0 | 0 |
| 8 | 16018-ZM3-004 | SCREEN, INLET | | | 001 | 0 | 0 |
| 9 | 16019-ZM3-004 | VALVE, INLET NEEDLE | | | 001 | 0 | 0 |
| 10 | 16022-ZM3-014 | PIN, METERING LEVER | | | 001 | 0 | 0 |
| 11 | 16023-Z0D-V02 | LEVER, METERING | | | 001 | 0 | 0 |
| 13 | 16030-ZM3-004 | SPRING, PUMP | | | 001 | 0 | 0 |
| 15 | 16040-Z4E-802 | COVER, PUMP | | | 001 | 0 | 0 |
| 16 | 16041-Z0D-V02 | SCREW | | | 001 | 0 | 0 |
| 17 | 16042-Z0D-V02 | SPRING | | | 001 | 0 | 0 |
| 18 | 16043-Z0D-V02 | COVER, METERING DIAPHRAGM | | | 001 | 0 | 0 |
| 19 | 16044-Z4E-802 | SCREW | | | 001 | 0 | 0 |
| 20 | 16045-Z0D-V02 | STOPPER, THROTTLE LEVER | | | 001 | 0 | 0 |
| 21 | 16046-Z0D-V73 | LEVER, THROTTLE | | | 001 | 0 | 0 |
| 22 | 16048-Z0D-V02 | SPACER, THROTTLE LEVER | | | 001 | 0 | 0 |
| 23 | 16049-Z0D-V02 | SCREW, IDLE ADJUSTING | | | 001 | 0 | 0 |
| 24 | 16050-Z0D-V02 | SPRING | | | 001 | 0 | 0 |
| 25 | 16051-Z0D-V02 | VALVE, THROTTLE | | | 001 | 0 | 0 |
| 26 | 16052-Z0D-V02 | SHAFT, THROTTLE | | | 001 | 0 | 0 |
| 27 | 16053-Z0D-V02 | CLIP, THROTTLE SHAFT | | | 001 | 0 | 0 |
| 28 | 16054-Z0D-V02 | SCREW, VALVE | | | 002 | 0 | 0 |
| 29 | 16055-Z0D-V02 | SCREW ASSY. | | | 001 | 0 | 0 |
| 31 | 16055-Z0D-V02 | SCREW ASSY. | | | 004 | 0 | 0 |
| 32 | 16056-Z0D-V02 | SPRING | | | 001 | 0 | 0 |
| 33 | 16057-Z0D-V02 | BALL | | | 001 | 0 | 0 |
| 34 | 16058-Z0D-V72 | SHAFT ASSY., CHOKE | | | 001 | 0 | 0 |
| 35 | 16059-Z0D-V03 | VALVE, CHOKE | | | 001 | 0 | 0 |
| 36 | 16060-Z0D-V02 | SCREW | | | 001 | 0 | 0 |
| 37 | 16061-Z0D-V02 | SEAL, DUST | | | 002 | 0 | 0 |
| 39 | 16100-Z0D-V77 | CARBURETOR ASSY. (HDA 206E) | | | 001 | 0 | 0 |
| 40 | 16211-Z0D-V01 | INSULATOR, CARBURETOR | | | 001 | 0 | 0 |
| 41 | 16212-Z0D-V00 | PACKING, INSULATOR | | | 001 | 0 | 0 |
| 42 | 16213-Z4E-S10 | INSULATOR B, CARBURETOR | | | 001 | 0 | 0 |
| 43 | 16214-Z0D-V01 | PACKING B, INSULATOR | | | 001 | 0 | 0 |
| 44 | 16215-Z0D-V00 | PLATE, INSULATOR | | | 001 | 0 | 0 |
| 45 | 16221-Z0D-V00 | PACKING, CARBURETOR | | | 002 | 0 | 0 |

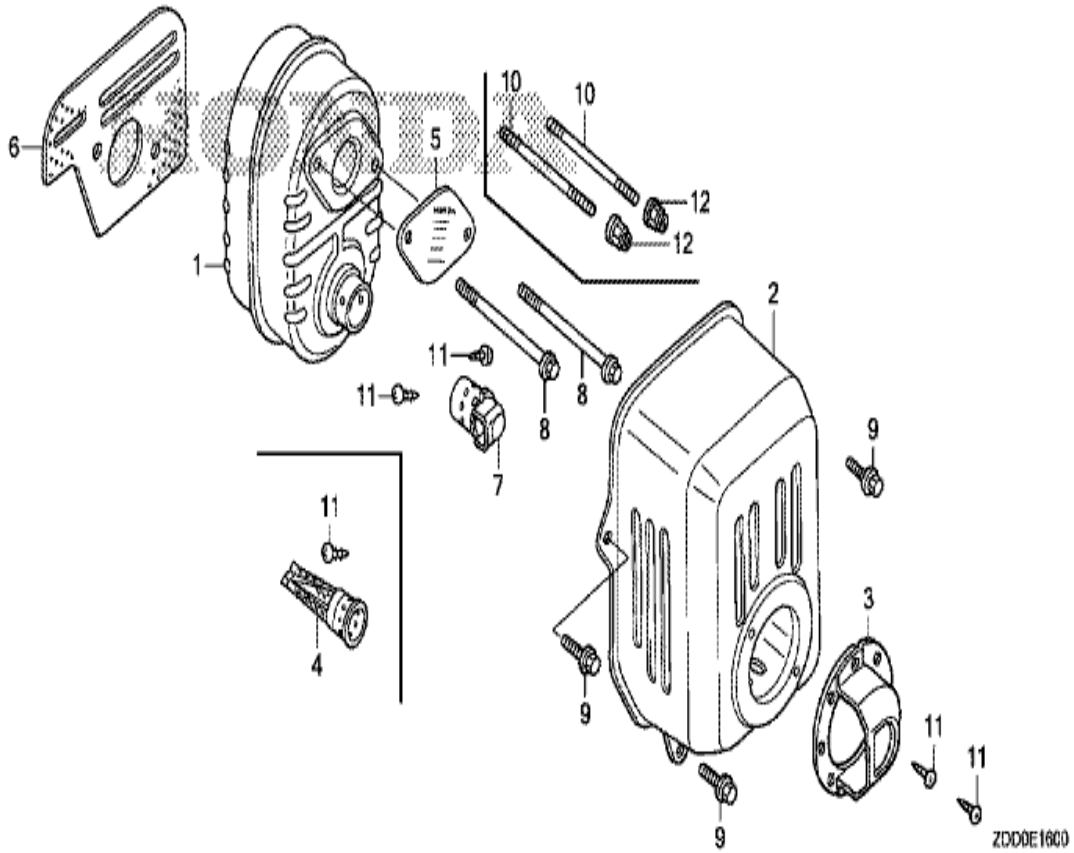
| | | | | | |
|----|----------------|---------------|-----|---|---|
| 46 | 16552-896-650 | COLLAR, LEVER | 001 | 0 | 0 |
| 53 | 99101-Z0D-0500 | JET (#50) | (1) | 0 | 0 |
| 53 | 99101-Z0D-0520 | JET (#52) | (1) | 0 | 0 |
| 53 | 99101-Z0D-0540 | JET (#54) | 001 | 0 | 0 |



| Refnr | Part Number | Description | from | to | Unit Qty | Order Qty | Repair Qty |
|-------|---------------|--------------------------|------|----|----------|-----------|------------|
| 5 | 17228-Z0D-V01 | PACKING, AIR CLEANER | | | 001 | 0 | 0 |
| 11 | 19619-ZM7-300 | COLLAR, FAN COVER | | | 002 | 0 | 0 |
| 16 | 90042-Z0D-V70 | BOLT, STUD, 5X91 (CT200) | | | 002 | 0 | 0 |
| 17 | 94050-05000 | NUT, FLANGE, 5MM | | | 002 | 0 | 0 |

GX100RT

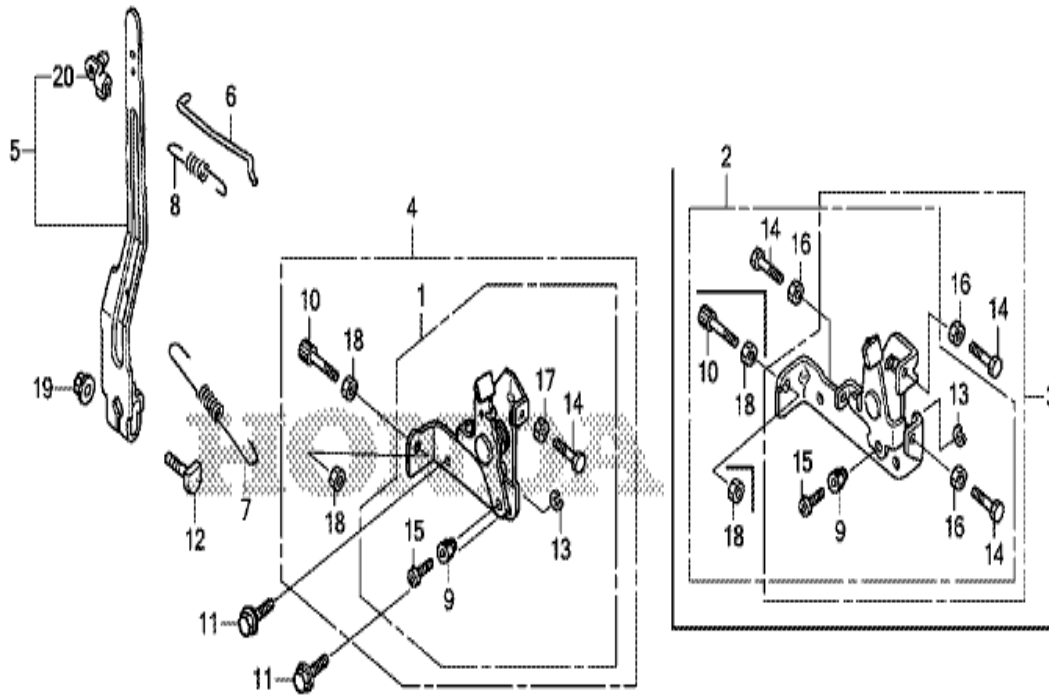
E-16 MUFFLER



| Refnr | Part Number | Description | from | to | Unit Qty | Order Qty | Repair Qty |
|-------|---------------|----------------------------|------|----|----------|-----------|------------|
| 1 | 18310-Z0D-V20 | MUFFLER COMP. | | | 001 | 0 | 0 |
| 2 | 18321-Z0D-V22 | PROTECTOR, MUFFLER | | | 001 | 0 | 0 |
| 4 | 18350-ZL8-000 | ARRESTER COMP., SPARK | | | (1) | 0 | 0 |
| 6 | 18381-Z0D-000 | GASKET, MUFFLER | | | 001 | 0 | 0 |
| 9 | 90014-952-000 | BOLT, FLANGE, 6X14 (CT200) | | | 003 | 0 | 0 |
| 10 | 90048-Z0D-V00 | BOLT, STUD, 6X78 (CT200) | | | 002 | 0 | 0 |
| 11 | 90055-ZE1-000 | SCREW, TAPPING, 4X6 | | | (1) | 0 | 0 |
| 12 | 90343-ZE6-000 | NUT, SELF-LOCK, 6MM | | | 002 | 0 | 0 |

GX100RT

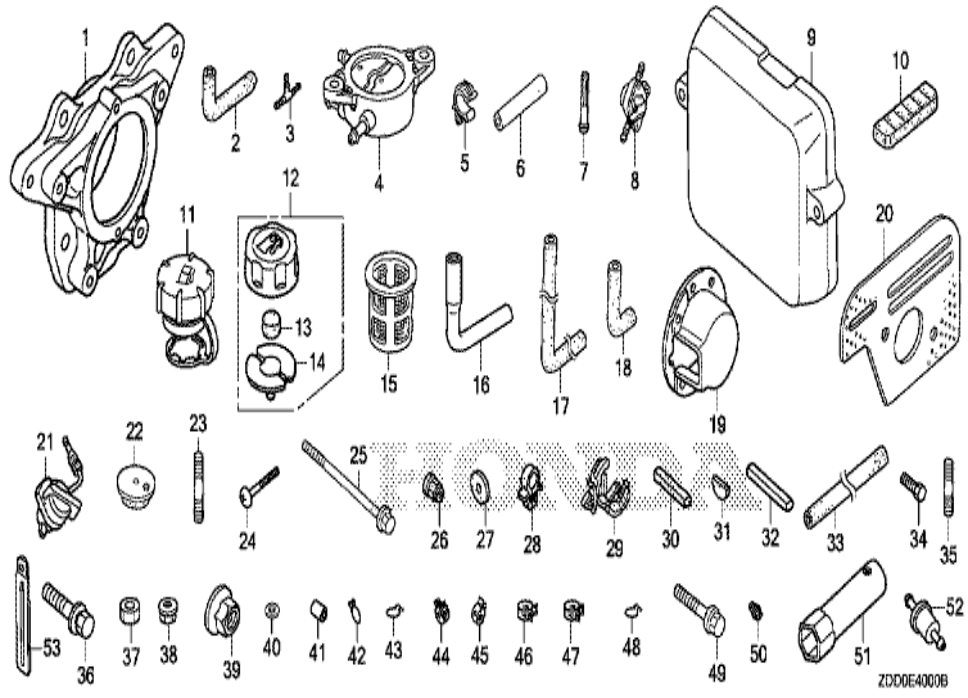
E-22-1 CONTROL (2)



ZDD0E2201

| Refnr | Part Number | Description | from | to | Unit Qty | Order Qty | Repair Qty |
|-------|----------------|----------------------------|------|----|----------|-----------|------------|
| 2 | 16500-Z4E-S10 | CONTROL ASSY. | | | 001 | 0 | 0 |
| 5 | 16550-Z0D-V01 | ARM COMP., GOVERNOR | | | 001 | 0 | 0 |
| 6 | 16555-Z0D-V00 | ROD, GOVERNOR | | | 001 | 0 | 0 |
| 7 | 16561-Z0D-V00 | SPRING, GOVERNOR | | | 001 | 0 | 0 |
| 8 | 16562-Z4E-S10 | SPRING, THROTTLE RETURN | | | 001 | 0 | 0 |
| 9 | 16594-883-010 | HOLDER, WIRE | | | 001 | 0 | 0 |
| 11 | 90014-952-000 | BOLT, FLANGE, 6X14 (CT200) | | | 002 | 0 | 0 |
| 12 | 90015-Z5T-000 | BOLT, GOVERNOR ARM | | | 001 | 0 | 0 |
| 13 | 90605-230-000 | CIRCLIP, 5MM | | | 001 | 0 | 0 |
| 14 | 92301-05020-0A | BOLT, RECESSED, 5X20 | | | 002 | 0 | 0 |
| 15 | 93500-04006-0H | SCREW, PAN, 4X6 | | | 001 | 0 | 0 |
| 16 | 94001-05000 | NUT, HEX., 5MM | | | 002 | 0 | 0 |
| 19 | 94050-06000 | NUT, FLANGE, 6MM | | | 001 | 0 | 0 |
| 20 | 16263-883-W10 | JOINT, ROD | | | 001 | 0 | 0 |

GX100RT
E-40 OTHER PARTS (1)



| Refnr | Part Number | Description | from | to | Unit Qty | Order Qty | Repair Qty |
|-------|----------------|------------------------|------|----|----------|-----------|------------|
| 2 | 15721-Z0D-V70 | TUBE, BREATHER (BOMAG) | | | 001 | 0 | 0 |
| 35 | 92900-08025-0E | BOLT, STUD, 8X25 | | | 004 | 0 | 0 |
| 51 | 89216-045-670 | WRENCH, PLUG | | | 001 | 0 | 0 |